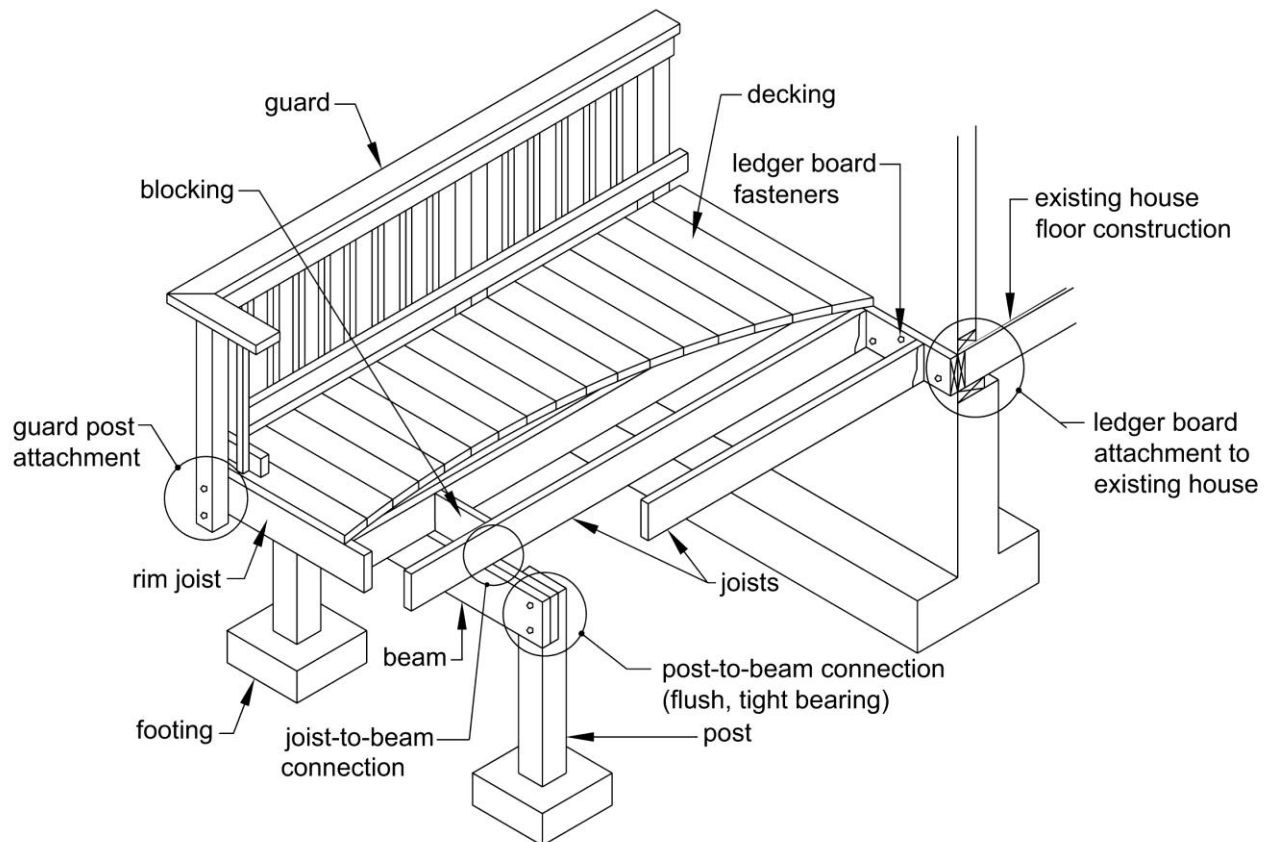


# Design for Code Acceptance



## Prescriptive Residential Wood Deck Construction Guide

Based on the *2012 International Residential Code*



This document is subject to updates and revisions. To ensure that you always have the latest version of the document, follow this link to download a free copy of the most current *Prescriptive Residential Wood Deck Construction Guide*: <http://www.awc.org/Publications/DCA/DCA6/DCA6-12.pdf>.

For information about copyright permission and hyperlinks, follow this link: <http://www.awc.org/CopyrightDisclaimer.php>.

Additional questions: <http://www.awc.org/AWC/contact.php> or 202-463-2766.